

## elite Panaboard software for Mac Revision History (25/June/2008) for UB-T780

(c) 2007-2010 Panasonic System Networks Co., Ltd. All Rights Reserved.

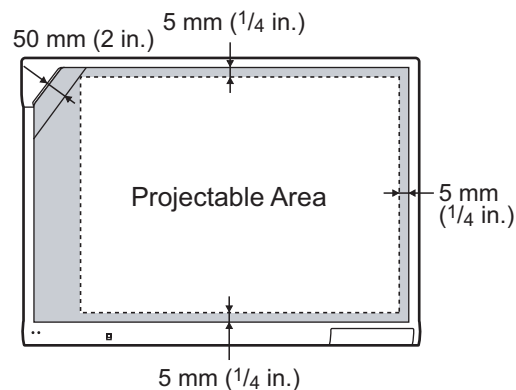
(c) 2007-2008 Brett Powley. All Rights Reserved.

### elite Panaboard software

Ver.	Changing issue(s) / Fixing problem(s)	Note
1.0.3	1. First Release	

### Limitations and Notes

1. When the charge in the battery in the electronic pen is low, the pen cannot work normally. Then, please replace the battery.
2. The electronic pen cannot work correctly on the following applications.  
Adobe Photoshop  
ArtRage
3. When you are projecting an image, make sure that the edge of the projected image is at least 5 mm (1/4 in.) from the screen frame. The electronic pen may not function correctly within 50 mm (2 in.) of the position sensor in the upper-left corner of the screen board.



\* Mac is a trademark of Apple Inc., registered in the U.S. and other countries.

\* Adobe and Photoshop are either registered trademarks or trademarks of Adobe Systems Incorporated in the United States and/or other countries.

\* ArtRage (C) Ambient Design Ltd.

\* All other trademarks identified herein are the property of their respective owners.