

Setting method for DNS address

(KX-TGP series)

No. 02-012

March 3 , 2011

Ver.1.0

Panasonic Corporation

Abstract about this document

This document describe about Setting method for DNS address.

Revision history

Date	Version	Revision	Firmware version
Mar. 3, 2011	Ver. 1.0	Initial Release	All versions

Outline

The document defines setting method for DNS address.

TGP500/550 has two kinds of configuration for setting of DNS address.

<1>

One is a setting of DNS address that **ISP** provides.

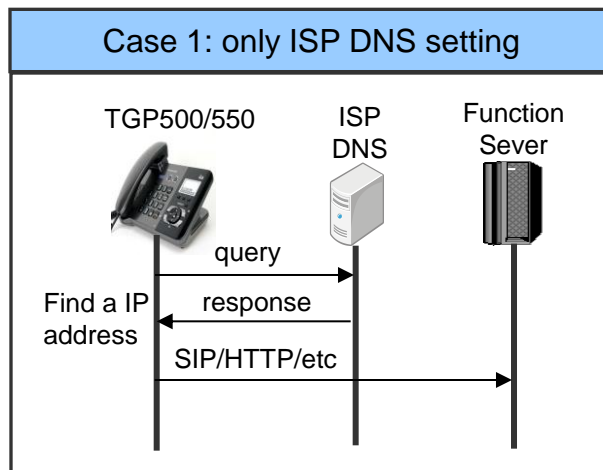
(ISP : Internet Service Provider).

<2>

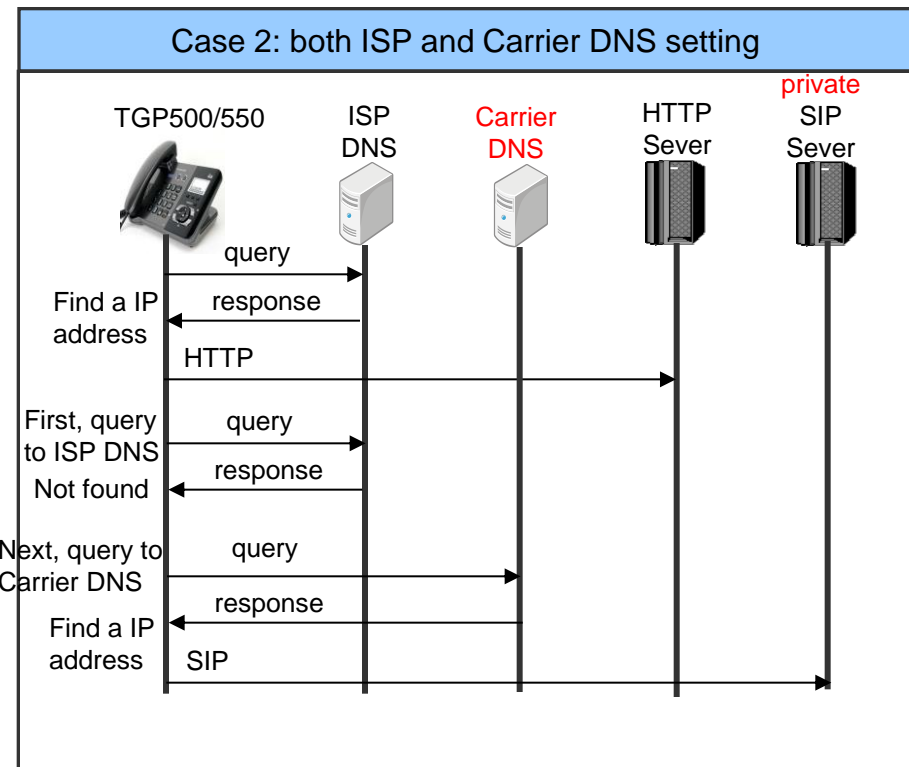
The other is a setting of DNS address that **Carrier** provides.

Situation for setting

Normally this Carrier DNS address **need not be set. It's possible to operate only by ISP DNS setting.** (See below Case1) However, when the carrier provide carrier's original DNS, it's necessary to set it. For example, IP address of HTTP sever can be solved by ISP DNS. IP address of **private** SIP sever can be solved by **Carrier original DNS.** (See below Case2)



IP address of sever of all functions protocol can be solved by ISP DNS



Private server's IP Address can be solved by only original DNS (Carrier DNS).

Configuration-1

DNS address setting for ISP

USER_DNS1_ADDR

Value Format	String
Description	Specifies the IP address of the primary DNS server. Note: This setting is available only when STATIC (Not DHCP) and when DNS addresses automatically of DHCP is disable.
Value Range	IP address in dotted-decimal notation
Default Value	Empty String

USER_DNS2_ADDR

Value Format	String
Description	Specifies the IP address of the secondary DNS server. Note: This setting is available only when STATIC (Not DHCP) and when DNS addresses automatically of DHCP is disable.
Value Range	IP address in dotted-decimal notation
Default Value	Empty String

Configuration-2

DNS address setting for Carrier

DNS1_ADDR

Value Format	String
Description	Specifies the IP address of the primary DNS server.
Value Range	IP address in dotted-decimal notation
Default Value	Empty String

DNS2_ADDR

Value Format	String
Description	Specifies the IP address of the secondary DNS server.
Value Range	IP address in dotted-decimal notation
Default Value	Empty String