

Setting method for DNS address

(KX-UDS/UDT series)

No. 42-012

September 20 , 2012

Ver.1.0

Panasonic Corporation

Abstract about this document

This document describes about Setting method for DNS address.

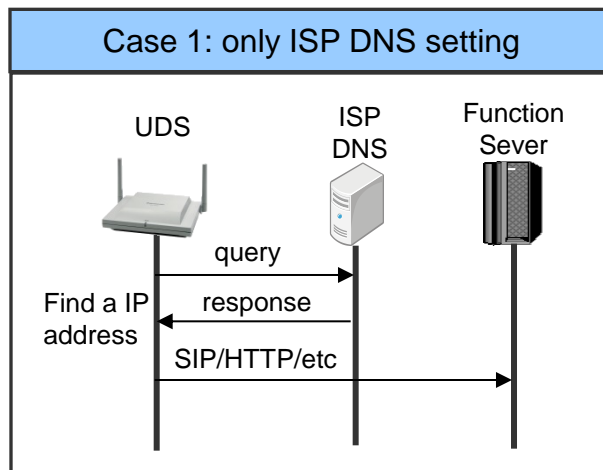
Revision history

Date	Version	Revision	Firmware version
Sep 20, 2012	Ver. 1.0	Initial Release	All versions

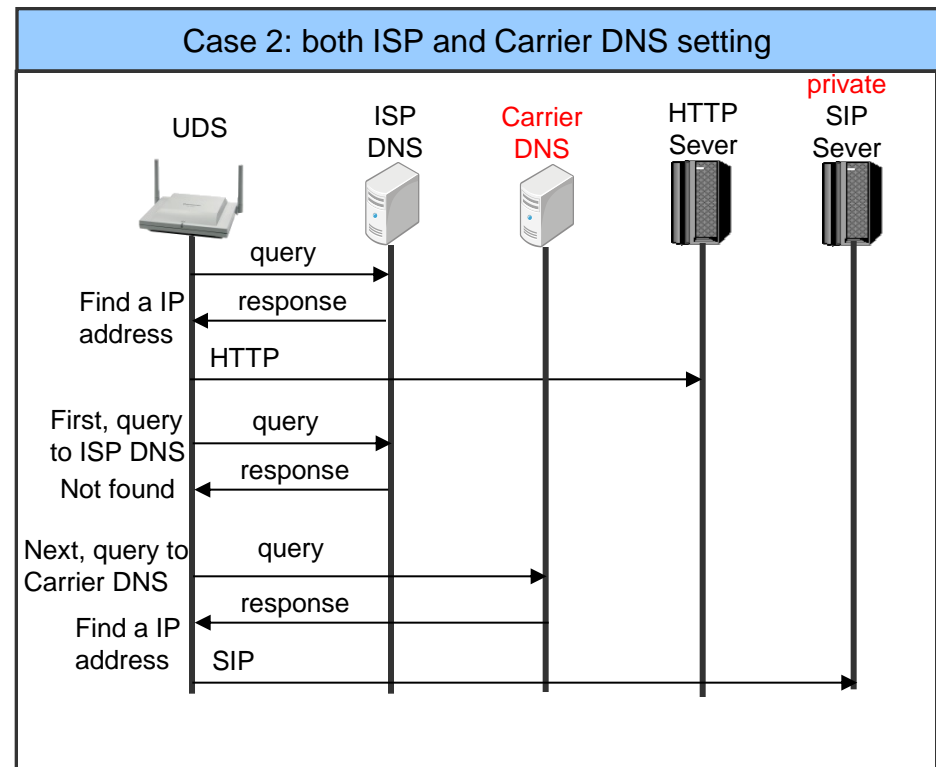
- 1. Situation for setting**
- 2. One is a setting of DNS address that ISP provides
(ISP : Internet Service Provider)**
- 3. The other is a setting of DNS address
that Carrier provides**

1. Situation for setting

Normally this Carrier DNS address **need not be set. It's possible to operate only by ISP DNS setting.** (See below Case1) However, when the carrier provide carrier's original DNS, it's necessary to set it. For example, IP address of HTTP sever can be solved by ISP DNS. IP address of **private** SIP sever can be solved by **Carrier original DNS.** (See below Case2)



IP address of sever of all functions protocol can be solved by ISP DNS



Private server's IP Address can be solved by only original DNS (Carrier DNS).

2. One is a setting of DNS address that ISP provides

DNS address setting for ISP

CONNECTION_TYPE

Value Format	Integer
Description	Specifies whether to assign the IP address automatically (DHCP) Or manually (static).
Value Range	<ul style="list-style-type: none">• 1 (DHCP)• 0 (Static)
Default Value	1

USER_DNS1_ADDR

Value Format	String
Description	Specifies the IP address of the primary DNS server. Note: This setting is available only when STATIC (Not DHCP) and when DNS addresses automatically of DHCP is disable.
Value Range	IP address in dotted-decimal notation
Default Value	Empty String

USER_DNS2_ADDR

Value Format	String
Description	Specifies the IP address of the secondary DNS server. Note: This setting is available only when STATIC (Not DHCP) and when DNS addresses automatically of DHCP is disable.
Value Range	IP address in dotted-decimal notation
Default Value	Empty String

3. The other is a setting of DNS address that Carrier provides

DNS address setting for Carrier

DNS1_ADDR

Value Format	String
Description	Specifies the IP address of the primary DNS server.
Value Range	IP address in dotted-decimal notation
Default Value	Empty String

DNS2_ADDR

Value Format	String
Description	Specifies the IP address of the secondary DNS server.
Value Range	IP address in dotted-decimal notation
Default Value	Empty String