

Parameter that controls “From” Header , when making anonymous call

(KX-UDS/UDT series)

No. 46-001

September 20 , 2012

Ver.1.0

Panasonic Corporation

Abstract about this document

This document describes about Parameter that controls “From” Header, when making anonymous call.

Revision history

Date	Version	Revision	Firmware version
Sep 20, 2012	Ver. 1.0	Initial Release	All versions

1. Parameter that controls “From” Header

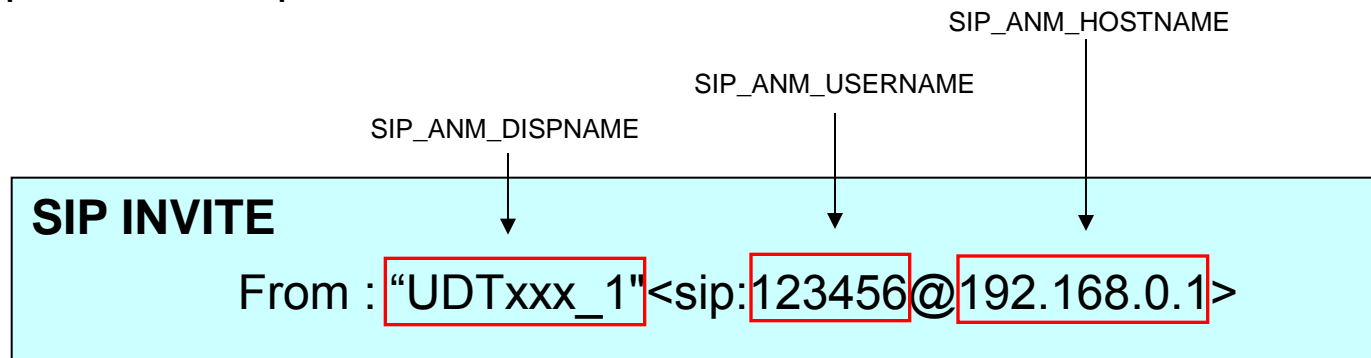
1.1 Three kind of parameter

- The composition of “From” Header can be controlled by three parameters of Configuration File.

	Parameter	Description
1	SIP_ANM_DISPNAME	Specifies the text string to set as the display name in the "From" header
2	SIP_ANM_USERNAME	Specifies the text string to set as the user name in the "From" header
3	SIP_ANM_HOSTNAME	Specifies whether to set an anonymous host name in the "From" header

****“Block caller ID=Y” is required with each of Line.**

1.2 The place where parameter controls



2. Composition of “From” Header in each settings

Parameter				Invite From Header
SIP_ANM_DISPNAME	SIP_ANM_USERNAME	SIP_ANM_HOSTNAME		
0: Use normal display name 1: Use “Anonymous” for display name 2: Do not send a display name	0: Use normal user name 1: Use “Anonymous” for user name 2: Do not send a user name	Y: Use “anonymous.invalid” for host name N: Use normal host name		
0	0	Y		“UDTxxx_1” <sip:123456@anonymous.invalid>
0	1	Y		“UDTxxx_1” sip:anonymous@anonymous.invalid>
0	2	Y		“UDTxxx_1” <sip:anonymous.invalid>
0	0	N		“UDTxxx_1” <sip:123456@192.168.0.1>
0	1	N		“UDTxxx_1” <sip:anonymous@192.168.0.1>
0	2	N		“UDTxxx_1” <sip:192.168.0.1>
1	0	Y		“Anonymous” <sip:123456@anonymous.invalid>
1	1	Y		“Anonymous” <sip:anonymous@anonymous.invalid>
1	2	Y		“Anonymous” <sip:anonymous.invalid>
1	0	N		“Anonymous” <sip:123456@192.168.0.1>
1	1	N		“Anonymous” <sip:anonymous@192.168.0.1>
1	2	N		“Anonymous” <sip:192.168.0.1>
2	0	Y		<sip:123456@anonymous.invalid>
2	1	Y		<sip:anonymous@anonymous.invalid>
2	2	Y		<sip:anonymous.invalid>
2	0	N		<sip:123456@192.168.0.1>
2	1	N		<sip:anonymous@192.168.0.1>
2	2	N		<sip:192.168.0.1>

3. Example of setting

Configuration File (default)

```
SIP_ANM_DISPNAME="1"  
SIP_ANM_USERNAME="0"  
SIP_ANM_HOSTNAME="N"
```

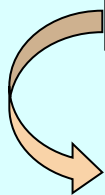


Making anonymous call

From : "Anonymous" <sip:123456@192.168.0.1>

Configuration File ("Anonymous" <sip:anonymous@anonymous.invalid>)

```
SIP_ANM_DISPNAME="1"  
SIP_ANM_USERNAME="1"  
SIP_ANM_HOSTNAME="Y"
```



Making anonymous call

From : "Anonymous" <sip:anonymous@anonymous.invalid>