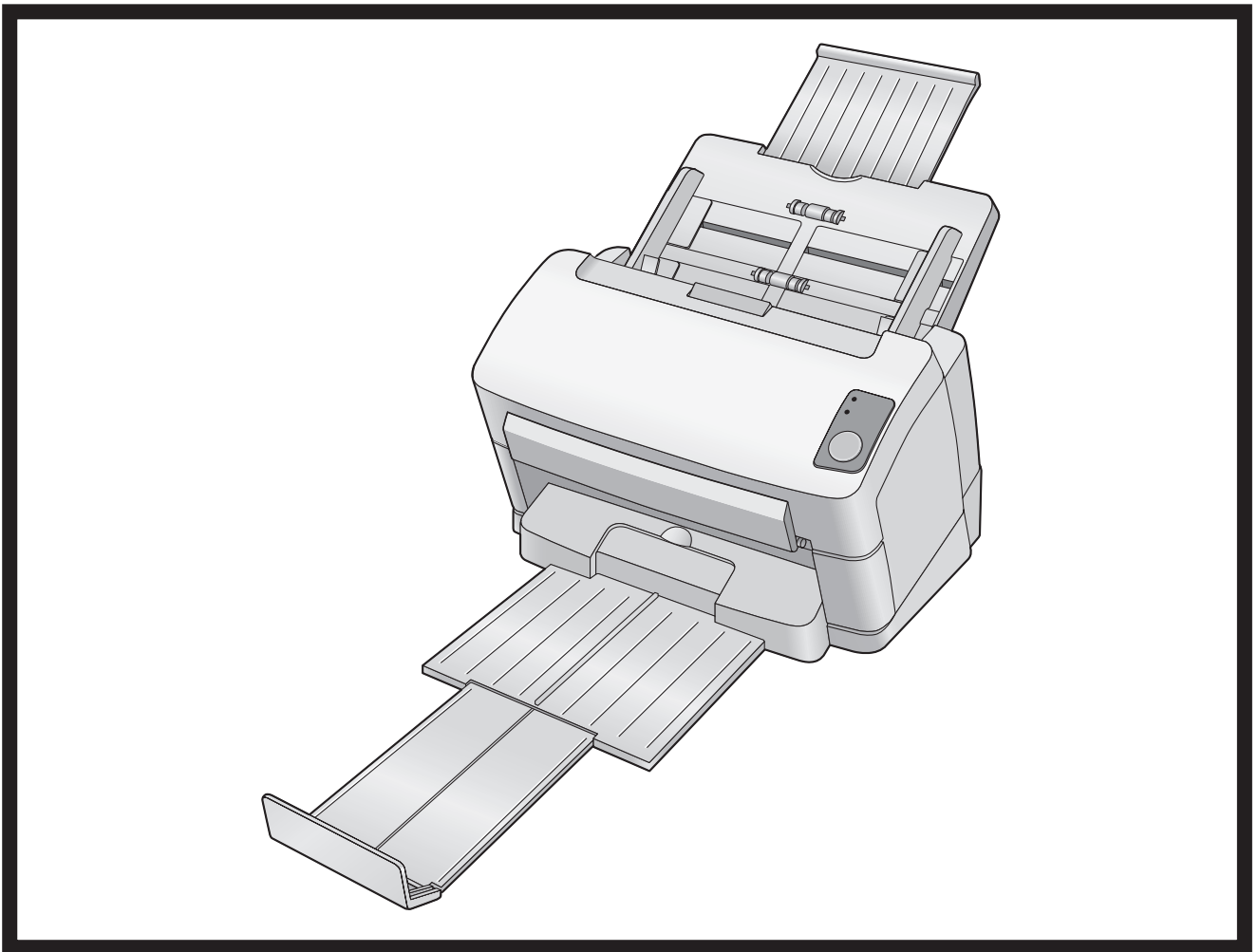


Panasonic[®]

Installation Manual High Speed Color Scanner

Model No. KV-S1045C



These instructions contain information on installing the scanner. Please read this manual before installing the unit.

For information on operating the scanner, please read the Operating Manual on the CD-ROM enclosed with this unit.

Please carefully read this manual, and keep this documentation in a safe place for future reference.

Introduction

Thank you for purchasing a **Panasonic High Speed Color Scanner**.

About the documentation

The scanner documentation consists of 2 manuals: the Installation Manual and the Operating Manual. In addition, 3 software reference manuals are included.

Installation Manual (this manual)	The Installation Manual explains the installation method and procedures.
Operating Manual (electronic documentation)	The Operating Manual explains the part names, operations, features and maintenance of the unit.
Software Reference Manuals (electronic documentation)	<ul style="list-style-type: none">• PIE Reference Manual Explains the settings of the PIE (Panasonic Image Enhancement Technology) features using the ISIS and TWAIN drivers.• RTIV Reference Manual Explains the features and settings for RTIV (Reliable Throughput Imaging Viewer). (You can view this manual by clicking the help button on RTIV.)• User Utility Reference Manual Explains how to use the User Utility, which is used for scanner maintenance. (You can view this manual by clicking the help button on User Utility.)

- The electronic documentation is located on the included CD-ROM. For details on viewing the documentation, see "Viewing Manuals From the CD-ROM" (page 18).

Abbreviations

- Windows® refers to the Microsoft® Windows® operating system (hereafter Windows).
- Windows® 2000 refers to the Microsoft® Windows® 2000 operating system (hereafter Windows 2000).
- Windows® XP refers to the Microsoft® Windows® XP operating system (hereafter Windows XP).
- Windows Vista® refers to the Microsoft® Windows Vista® operating system (hereafter Windows Vista).

Trademarks

- Microsoft, Windows, and Windows Vista are either registered trademarks or trademarks of Microsoft Corporation in the United States and/or other countries.
- ISIS and QuickScan are registered trademarks or trademarks of EMC Corporation in the United States and other countries.
- IBM and AT are trademarks of International Business Machines Corporation in the United States, other countries, or both.
- Pentium is a trademark of Intel Corporation in the U.S. and other countries.
- Adobe and Reader are either registered trademarks or trademarks of Adobe Systems Incorporated in the United States and/or other countries.
- All other trademarks identified herein are the property of their respective owners.

International ENERGY STAR Program



As an ENERGY STAR® Partner, Panasonic has determined that this product meets the ENERGY STAR guidelines for energy efficiency.

Federal Communications Commission Requirements (For United States only)

This equipment has been tested and found to comply with the limits for a Class B digital device, pursuant to Part 15 of the FCC Rules. These limits are designed to provide reasonable protection against harmful interference in a residential installation. This equipment generates, uses, and can radiate radio frequency energy and, if not installed and used in accordance with the instructions, may cause harmful interference to radio communications.

However, there is no guarantee that interference will not occur in a particular installation. If this equipment does cause harmful interference to radio or television reception, which can be determined by turning the equipment off and on, the user is encouraged to try to correct the interference by one or more of the following measures:

- Reorient or relocate the receiving antenna.
- Increase the separation between the equipment and receiver.
- Connect the equipment into an outlet on a circuit different from that to which the receiver is connected.
- Consult the dealer or an experienced radio/TV technician for help.
- The user may find the booklet "Something About Interference" available from FCC local regional offices helpful.

FCC Warning: To assure continued FCC emission limit compliance, the user must use the recommended shielded interfacing cable when connecting to a host computer. Also, any unauthorized changes or modifications to this equipment would void the user's authority to operate this device.

FCC Declaration of Conformity

Trade Name: Panasonic
Model Number: KV-S1045C
Responsible Party: Panasonic Corporation of North America
One Panasonic Way
Secaucus, NJ 07094 U.S.A.
Telephone No.: 1-800-726-2797

This device complies with Part 15 of the FCC Rules.

Operation is subject to the following two conditions:

- (1) This device may not cause harmful interference, and
- (2) this device must accept any interference received, including interference that may cause undesired operation.

For FRG Users (For Germany Only)

- Machine noise information regulation - 3.GPSGV, the maximum sound pressure level is 70 dB(A) or less, in conformity with EN ISO 7779.
- This device is not intended for use in the direct field of view at visual display workplaces. To avoid incommoding reflexions at visual display workplaces this device must not be placed in the direct field of view.

Table of Contents

Before You Start	6
For Your Safety	6
Safety Information (For United Kingdom only)	8
Precautions	9
Installation	11
Installing the Unit	11
Installing Software	15
System Requirements	15
CD-ROM Contents	15
Software Installation	16
Uninstalling Software	17
Viewing Electronic Documentation	18
Viewing Manuals From the CD-ROM	18
Viewing Manuals Installed On Your Computer	18
Uninstalling Manuals	18
Appendix	19
Troubleshooting	19

For Your Safety

To prevent severe injury and loss of life, read this section carefully before using the unit to ensure proper and safe operation of your unit.

- This section explains the graphic symbols used in this manual.

	WARNING	Denotes a potential hazard that could result in serious injury or death.
	CAUTION	Denotes hazards that could result in minor injury or damage to the unit.
	This symbol is used to alert operators to a specific operating procedure that must be performed carefully.	
		These symbols are used to alert operators to a specific operating procedure that must not be performed.
		These symbols are used to alert operators to a specific operating procedure that must be emphasized in order to operate the unit safely.

For Users

WARNING

Power



The power source voltage of this unit is listed on the nameplate. Only plug the unit into an AC outlet with the proper voltage.

If you use a cord with an unspecified current rating, the unit or plug may emit smoke or become hot to the touch.



When you operate this product, the power outlet should be near the product and easily accessible.



Connect the AC adaptor firmly to the power cord, and plug the power cord firmly into an AC outlet. Otherwise, it can cause fire or electric shock.



Do not pull, bend, rest objects on, or chafe the power cord, plug, and AC adaptor. Damage to the power cord or plug can cause fire or electric shock.



Do not attempt to repair the power cord, plug, or AC adaptor. If the power cord or plug is damaged or frayed, contact an authorized service representative for a replacement.



Ensure that the plug connection is free of dust. In a damp environment, a contaminated connector can draw a significant amount of current that can generate heat, and eventually cause fire if left unattended over an extended period of time.



Never touch the plug or AC adaptor with wet hands. Danger of electric shock exists.



Stop operation immediately if the unit emits smoke, excessive heat, abnormal smell, or unusual noise. These conditions can cause fire or electric shock. Immediately turn the unit off, and unplug the power cord, and contact your dealer for service.



When disconnecting the unit, grasp the plug instead of the cord. Pulling on a cord forcibly can damage it, and cause fire or electric shock.

Operating Safeguards



If metal fragments or water gets into the unit, turn the unit off, and unplug the unit immediately. Contact your dealer for service. Operating the contaminated unit can cause fire or electric shock.



Do not open covers, and do not attempt to repair the unit yourself. Contact your dealer for service.



Do not alter the unit or modify any parts. Alteration or modification can cause fire or electric shock.



During thunderstorms, do not touch the unit, plug and AC adaptor. It may cause an electric shock.

Roller Cleaning Paper



Do not drink or inhale the roller cleaning paper fluid including isopropyl alcohol.



The roller cleaning paper may be harmful to sensitive skin. Please use protective gloves.



Do not use the roller cleaning paper near a heater or open flame.

CAUTION

Power



The unit should be used only with the power cord and AC adaptor enclosed with the unit.



When the unit is not used over an extended period of time, switch it off, and unplug it. If an unused unit is left connected to a power source for a long period, degraded insulation may cause electric shock, current leakage, or fire.

Installation and Relocation



Do not position the unit in a location where it is unstable.



To prevent fire or shock hazard, do not expose this unit to rain or any type of moisture.



Do not place the unit in a hot humid or dusty environment. Prolonged exposure to these adverse conditions may cause fire or electric shock.



When moving the unit, be sure to unplug the power cord from the AC outlet. If the unit is moved with the power cord attached, it can cause damage to the cord which could result in fire or electric shock.



Do not use the exit tray hanging out of a table.



When carrying the unit, do not use the trays as handles.

Operating Safeguards



If the unit falls down or gets damaged, turn the unit off, and unplug the power cord. Otherwise, it may cause fire or electric shock.





Do not place any liquids or heavy items on the unit. Accidental spillage of liquid into the unit may cause severe damage. If this occurs, turn the unit off, unplug the power cord, and contact your dealer for service.



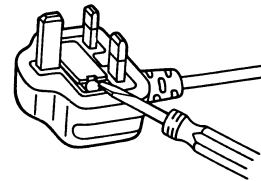
Do not touch the scanning glass or their surroundings immediately after continuous scanning. This area is very hot and can cause burns.

Safety Information (For United Kingdom only)

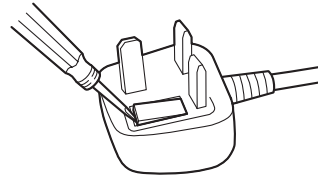
This appliance is supplied with a moulded three pin mains plug for your safety and convenience. A 5 amp fuse is fitted in this plug. Should the fuse need to be replaced, please ensure that the replacement fuse has a rating of 5 amps and that it is approved by ASTA or BSI to BS1362. Check for the ASTA mark  or the BSI mark  on the body of the fuse. And you must refit the fuse cover when the fuse is replaced. If you lose the fuse cover, the plug must not be used.

How to replace the fuse:

Open the fuse compartment with a screwdriver and replace the fuse and fuse cover.



OR



Precautions

Installation

- Do not place the unit in direct sunlight, in a cold draft, or near heating apparatus.
- Do not place the unit near apparatus which generate electronic or magnetic noise.
- Protect the unit from static electricity.
- Do not move the unit immediately from a cold place to a warm place. It may cause dew.

CD-ROM

- Do not write or stick paper on the front and/or back of CD-ROM.
- Do not touch the data side of the CD-ROM. When handling the CD-ROM, be careful not to leave fingerprints or otherwise damage the CD-ROM.
- Do not leave the CD-ROM where it is directly exposed to sunlight or near a heater for extended periods.
- Do not throw or bend the CD-ROM.

Roller Cleaning Paper

- Keep the roller cleaning paper out of reach of small children.
- Do not store the roller cleaning paper in direct sunlight or in a place with a temperature over 40 °C (104 °F).
- Only use the roller cleaning paper to clean the rollers and scanning glass.
- For details about the roller cleaning paper, please refer to the Material Safety Data Sheet (MSDS). Please ask your Panasonic sales company about obtaining the Material Safety Data Sheet.

KEEP AWAY FROM FIRE.

Others

- Make sure to remove paper clips and staples from documents before scanning. Failing to do so can damage the unit, document, or both.
- Do not use thinner, benzine, or cleaners containing abrasives or surfactants, for cleaning the outside of scanner.
- Plug the power cord into an outlet from which you can easily unplug it.

Illegal Duplication

It is unlawful to make duplication of certain documents.

Duplicating certain documents may be illegal in your country/area.

Penalties of fines and/or imprisonment may be imposed on those found guilty. The following are examples of items that may be illegal to duplicate in your country/area.

- Currency
- Bank notes and checks
- Bank and government bonds, and securities
- Passports, licenses, official or private documents, identification cards, and the like
- Copyright materials, or trademarks without the consent of the owner
- Postage stamps, and other negotiable instruments

This list is not inclusive, and no liability is assumed for either its completeness or accuracy. In case of doubt, contact your legal counsel.

Notice

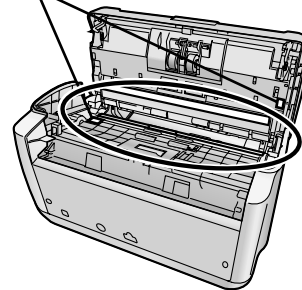
Install your machine near a supervised area to prevent illegal duplication from being made.



Security Notice

The management of documents and scanned data is the responsibility of the user. In particular, pay attention to the following points.

- Make sure you have the same number of pages for important documents both before and after scanning, and take care not to leave any pages in the scanner.
- Periodically back up important data.
- When having your computer or hard disk serviced, or when disposing of your computer or hard disk, completely erase any stored image data.

Caution Labels

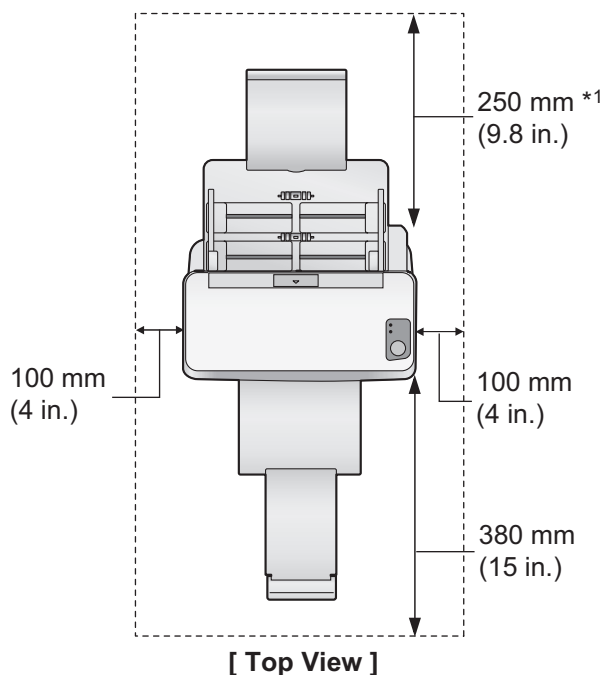


 CAUTION	
	HOT SURFACE DO NOT TOUCH. The glass in the scanning area becomes very hot. Exercise care not to touch heated areas, or you may get burned.

Installing the Unit

About the installation location

- In order to ensure proper operation, install the unit maintaining the proper distances from surrounding objects, as shown in the following illustration.





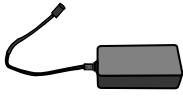


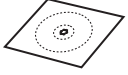



*1 Clearance required to set the feed tray.

Notice

- Do not move the unit immediately from a cold place to a warm place. It may cause dew.

1. Check the accessories.

- Check that all accessories are included before installing the scanner. In the event that an item is missing, please contact your dealer.

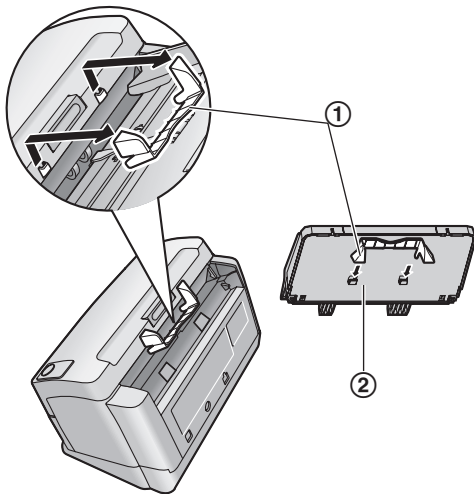
	Power cord
	USB cable
	AC adaptor
	Feed tray
	Mixed batch card guide
	Drivers & Utilities / Manuals CD-ROM
	Roller cleaning paper
	Installation Manual (this manual)
	Safety Guide* ¹ (for French, German, Spanish, Italian and Russian only)

*1 Safety Guide may be included depending on country/area.

Note

- It is highly recommended to keep the original carton and all packing materials. They are necessary when repacking.
- [For United States only] Applicable limited warranty information is included on the Drivers & Utilities / Manuals CD-ROM.
- Two power cords may be included. Use the power cord appropriate for where you use the unit.

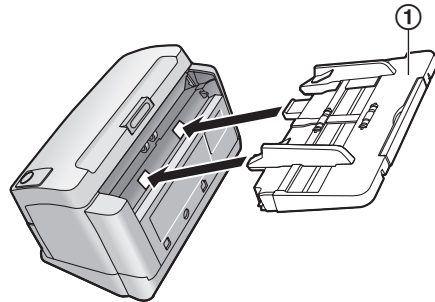
2. Remove all packing tape.
3. Uninstall the mixed batch card guide (①).
 - With the mixed batch card guide, you do not have to adjust the document guides to fit the width of the card. It also prevents a card from skewing when scanning paper documents and a card simultaneously.
 - It is pre-installed and fixed to the scanner with adhesive tape.
 - When not using the mixed batch card guide, uninstall it as shown in the illustration below, and keep it on the back side of the feed tray (②) for future use.



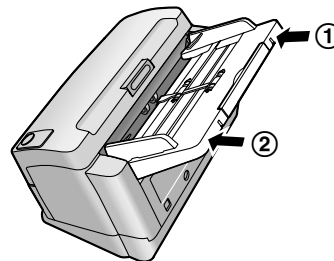
- When using the mixed batch card guide, install it in the reverse order of uninstallation. For details on the mixed batch card guide, refer to the Operating Manual.

4. Set the feed tray.
Before using the scanner, follow the steps below to set the feed tray.

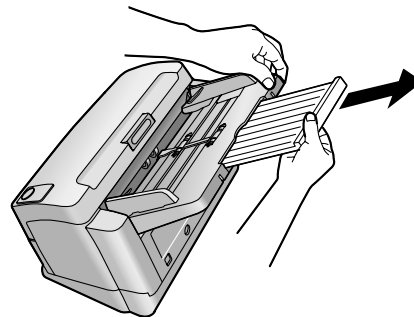
- a. Insert the feed tray (①) into the scanner as shown in the illustration below.



- b. Push the right (①) and left (②) sides of the feed tray in that order until the feed tray locks in place.

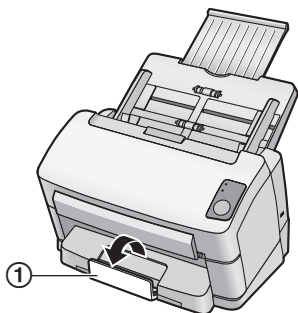


- c. Pull out the feed extension tray in the direction of the arrow shown in the illustration below.

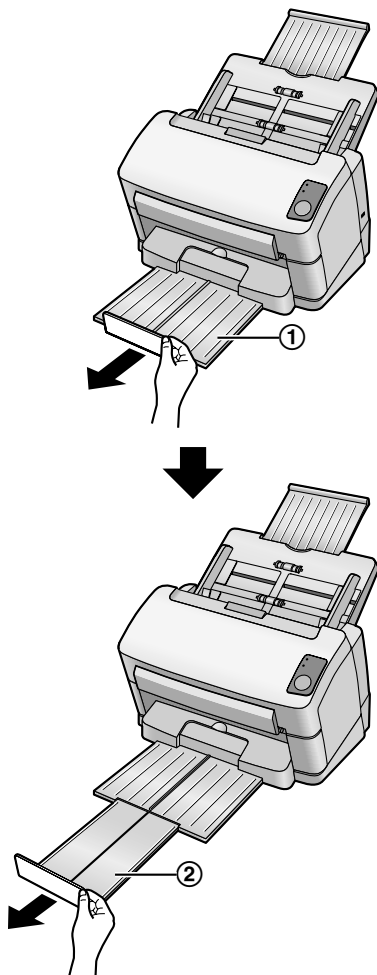


- 5. Set the exit tray.**
The exit tray prevents documents from dropping after they are scanned. Follow the steps below to set the exit tray.

- a. Raise the exit stopper (①).**



- b. Pull out the exit tray (①) and the exit extension tray (②).**

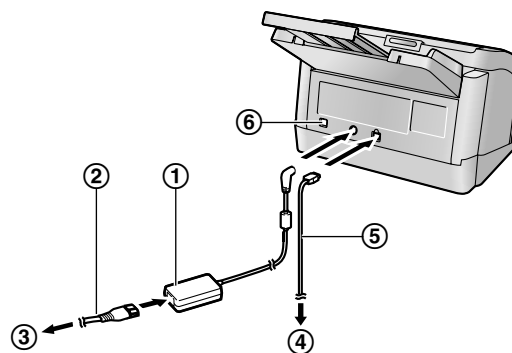


- 6. Connect cables.**

- Connect the power cord to the AC adaptor.
- Connect the AC adaptor to the scanner.
- Plug into the AC outlet.
- Connect the USB cable to the scanner and to your computer.

Note

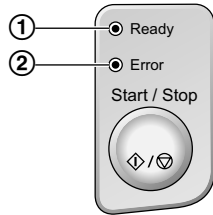
- Use only with the power cord and the AC adaptor enclosed with the unit.
- Use the USB cable enclosed with the unit.
- When the unit is not used over an extended period of time, switch it off, and unplug it. The power consumption is approximately 0.3 W when the unit is turned off, and the AC adaptor is connected to the AC outlet.



- ① AC adaptor
- ② Power cord
- ③ To AC outlet
- ④ To computer
- ⑤ USB cable
- ⑥ Power switch

About LED

The status of the scanner can be established by the condition of the two LED indicators shown in the table below:



① LED (Green)	② LED (Red)	Status
ON	OFF	Ready
ON	Blink (Slow)	Caution
Blink (Fast)	OFF	Warming up ^{*1}
Blink (Slow)	OFF	Sleep
Blink (Slow)	Blink (Slow)	Caution / Sleep
OFF	ON	Error

^{*1} It will take about 30 seconds to initialize the scanner under the following conditions:

- Just after turning the power on
- After about 2 hours on sleep mode
- Over about 5 seconds with the ADF door open

Installing Software

System Requirements

Computer	IBM® PC/AT® or compatible machine with a CD-ROM drive
CPU	Pentium® III, 1 GHz or higher
Operating System	Windows 2000 / Windows XP / Windows Vista
Interface	USB 2.0
Memory	256 MB or higher
Hard Disk	5 GB or more free space is required.

Note

- The above system requirements may not satisfy the requirements of all operating systems.
- The scanning speed differs depending on the host computer's operating environment or the application used.
- Due to the slower speed of USB 1.1, it is recommended to use a USB 2.0 interface.
- If you connect the scanner to a USB hub, it is not guaranteed to work.

CD-ROM Contents

Drivers	Device Driver
	TWAIN ²
	ISIS
Applications	RTIV ³
	QuickScan Pro Demo ⁴
Utilities	MCD ⁵
	User Utility
Manuals ¹	Installation Manual
	Operating Manual
	PIE Reference Manual ⁶
	RTIV Reference Manual
	User Utility Reference Manual
Others	Control Sheet ⁷
	Warranty Information (U.S.A. only)

¹ All manuals are in PDF format. To view manuals, Adobe® Reader® must be installed.

² There is no TWAIN application on this CD-ROM.

³ RTIV (Reliable Throughput Imaging Viewer) is our original application software, and does not require either TWAIN driver or ISIS driver.

⁴ There are some restrictions for QuickScan Pro due to being a trial version. In addition, when using QuickScan Pro, the ISIS driver is required. QuickScan Pro does not work with the 64-bit version of Windows.

⁵ For details on how to use MCD, refer to PIE Reference Manual and RTIV Reference Manual.

⁶ PIE is an acronym for Panasonic Image Enhancement Technology.

⁷ The control sheets are stored as PDF files. For use them, print the control sheets in the same size as the document pages to be scanned. For details, refer to "Using Control Sheets" in the Operating Manual.

Software Installation

The software on the enclosed CD-ROM can be installed on your computer.

You can select from the 4 installation methods below, depending on your needs.

- a. **Complete:** Install all of the CD-ROM components.
- b. **All Drivers & Utilities:** Install all of the CD-ROM components except for applications.
- c. **Custom:** Install one of the drivers, utilities or manuals.
- d. **Application:** Select and install RTIV or the QuickScan Pro Demo.

Notice

- Make sure to log on as an administrator to install the software.

1. Turn OFF the scanner power.
2. Insert the included CD-ROM into the CD/DVD drive on your computer.
 - If you have a feature called "Autorun" activated, the installation process will start automatically.
 - The setup window will appear.

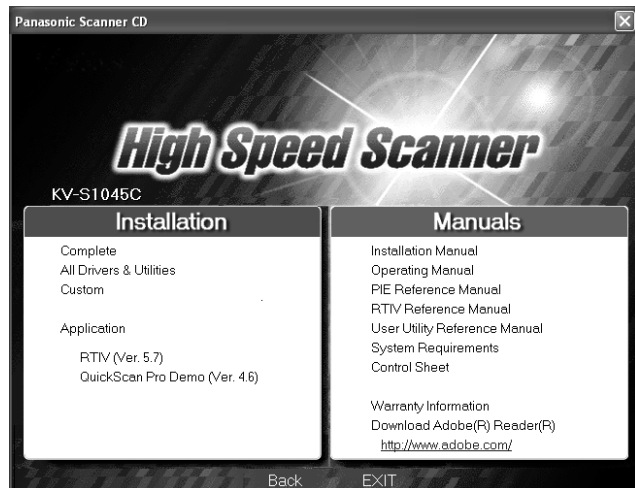
Note

- If the AutoPlay dialog box is displayed in Windows Vista, select "CDRun.exe".
- If the program does not start automatically, from [My Computer] ([Computer] in Windows Vista), select the CD/DVD drive, and then double-click "CDRun.exe".

3. Select your scanner model.

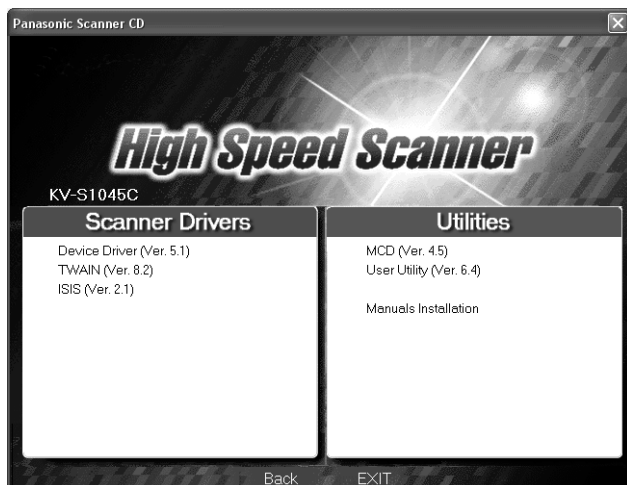


4. Select the desired installation methods from the "Installation" list on the left side of the screen.



- If you selected [Complete] or [All Drivers & Utilities], continue to step 6.
- If you selected [Custom], continue to step 5.
- If you selected [RTIV] or [QuickScan Pro Demo] in "Application", continue to step 6.

5. If you selected [Custom] for the installation type in step 4, select the item that you want to install.



6. Follow the instructions on the screen.
- In Windows Vista, if a window appears with the message "Windows can't verify the publisher of this driver software", continue with the installation by selecting "Install this driver software anyway".
7. Turn ON the scanner power.
- If you installed a device driver, it is necessary to continue with the next step.
8. Follow the instructions of the hardware wizard to complete the installation.
- The installation process is performed automatically in Windows Vista.

Note

Continue with the installation even if a window appears with the message "Digital Signature Not Found" or "has not passed Windows Logo testing...".

Uninstalling Software

If you want to remove the software that is installed on your computer, follow the procedure below to uninstall them.

- In Control Panel, open [Add or Remove Programs].
 - In Windows 2000, select [Add/Remove Programs], and in Windows Vista, select [Uninstall a program].
- Select the item that you want to uninstall.
 - The software is displayed with the program names below:

Software	Program Name
Device driver	Panasonic High Speed Scanner Device Driver X.XX ^{*1}
TWAIN	KV-S1045C TWAIN Driver
ISIS	KV-S1045C KV-S1025C KV-S1020C ISIS Driver
RTIV	RTIV
QuickScan Pro Demo	QuickScan 4.6 ^{*1}
User Utility	Panasonic Scanner User Utility
MCD (Multi-color Dropout) Utility	MCD

^{*1} "X.XX" and the number that follows a program name are the software version. When you upgrade the software, the numbers above may be different from the actual software version.

- Follow the instructions on the screen.

Viewing Electronic Documentation

Viewing Manuals From the CD-ROM

All manuals on the CD-ROM can be viewed using Adobe Reader.

1. Insert the included CD-ROM into the CD/DVD drive on your computer.
 - If you have a feature called "Autorun" activated, the installation process will start automatically.
 - The setup window will appear.

Note

- If the AutoPlay dialog box is displayed in Windows Vista, select "CDRun.exe".
- If the program does not start automatically, from [My Computer] ([Computer] in Windows Vista), select the CD/DVD drive, and then double-click "CDRun.exe".

2. Select your scanner model.
3. Select a manual from the "Manuals" list on the right side of the screen.
 - The selected manual will open.

Note

- To view the electronic documentation, Adobe Reader must be installed on your computer. If your computer is connected to the Internet, you can download Adobe Reader by clicking the URL below "Download Adobe® Reader®". The URL is displayed in the "Manuals" list on the setup screen.

Viewing Manuals Installed On Your Computer

All manuals installed on your computer can be viewed as follows.

Note

- To install manuals on your computer, see page 16.
 - You can view the RTIV Reference Manual and the User Utility Reference Manual by clicking the help button on the software's operation screen.
1. On the [Start] menu, point to [All Programs], then [Panasonic], and select [Scanner Manuals].
 - If you are using Windows 2000, point to [Program] instead of [All Programs].
 2. Select the desired manual.
 - The selected manual will open.

Uninstalling Manuals

If you want to remove manuals that are installed on your computer, follow the procedure below to uninstall them.

1. In Control Panel, open [Add or Remove Programs].
 - In Windows 2000, select [Add/Remove Programs], and in Windows Vista, select [Uninstall a program].
2. Select "Panasonic Scanner Manuals".
3. Follow the instructions on the screen.

Troubleshooting

If a problem occurs while the unit is being used, check the following items and check the unit status with the User Utility. For other problems, refer to "Troubleshooting" in the Operating Manual.

If the unit still malfunctions, turn it OFF, unplug the power cord from the AC outlet, and call for service.

Symptom	Possible Cause	Remedy
The ready indicator does not light when the power switch is turned ON.	The power cord is not plugged in.	Insert the power plug firmly.
	Problem with the AC adaptor.	Unplug the power cord from the AC outlet, and call for service.
The computer does not recognize the unit. The scanner is not functioning correctly.	The unit is not connected to the computer correctly.	Connect the USB cable correctly.
	The software is not installed correctly.	Uninstall the software from the computer (page 17), and then install the software again (page 16).
	The USB interface of the computer is not installed correctly.	Check the computer whether the USB interface of your computer is installed correctly using the device manager's property.
	The unit is connected to the computer via a USB hub, and the USB hub is not functioning well.	Do not connect via the USB hub. Connect the unit to the computer directly.
	There is a problem with the USB cable.	Use the included USB cable or a certified Hi-speed USB 2.0 cable.

If you still experience problems after following these suggestions, please contact our Technical Support Department at 1-800-726-2797 for further assistance. (U.S.A. only)

Notice [For United States only]

This product has a fluorescent lamp that contains mercury. Disposal may be regulated in your community due to environmental considerations. For disposal or recycling information, please visit Panasonic website: <http://www.panasonic.com/environmental> or call **1-888-769-0149**.

Things you should keep a record of:

For your future reference

Date of purchase _____

Model number _____

Serial number _____

Dealer's name and address _____

Dealer's telephone number _____

Panasonic Corporation of North America
One Panasonic Way, Secaucus, New Jersey 07094

Panasonic Canada Inc.
5770 Ambler Drive, Mississauga, Ontario, L4W 2T3

Panasonic Corporation

Web Site: <http://www.panasonic.net/>