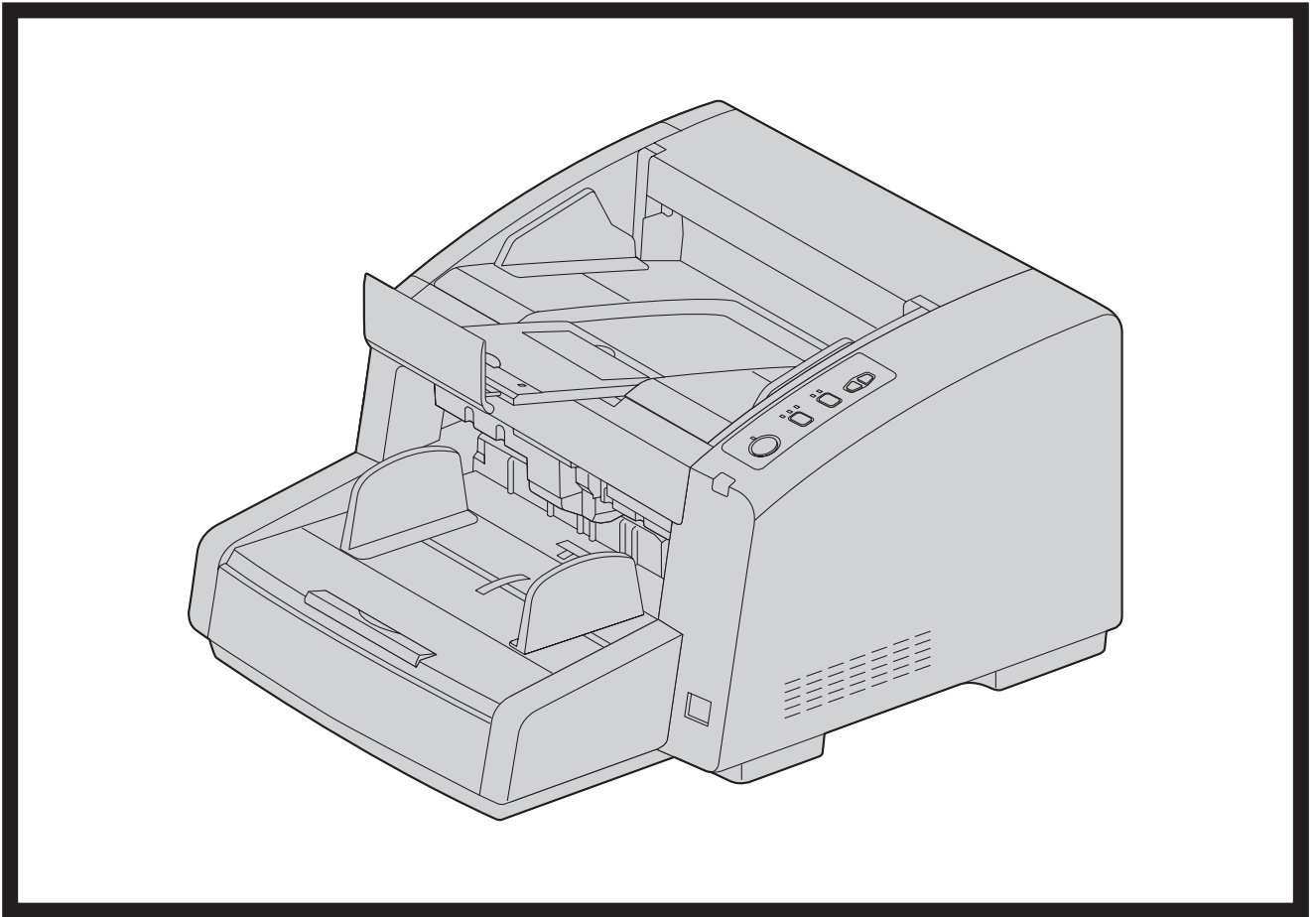


Panasonic[®]

Installation Manual

High Speed Color Scanner

Model No. KV-S4085CL / KV-S4085CW
KV-S4065CL / KV-S4065CW



These instructions contain information on installing the scanner. Please read this manual before installing the unit.

For information on operating the scanner, please read the Operating Manual on the CD-ROM enclosed with this unit.

Please carefully read this manual, and keep this documentation in a safe place for future reference.

Introduction

Thank you for purchasing a **Panasonic High Speed Color Scanner**.

Feature Highlights

Superior Paper Feeding

- This scanner features an advance paper feeding mechanism that monitors the condition of the document and adjusts the pressure of the rollers accordingly. As a result, this scanner can scan a wide range of paper weights, from very thin 20 g/m² (5 lbs.) paper to very thick 209 g/m² (56 lbs.) paper.

High-speed Double Sided Scanning

- This scanner can scan documents at high speed, regardless of the resolution (200 dpi / 300 dpi) or image type (monochrome / color).
Single sided: 80 pages/minute, double sided: 160 images/minute (KV-S4085CL / KV-S4085CW)
Single sided: 60 pages/minute, double sided: 120 images/minute (KV-S4065CL / KV-S4065CW)
* Speeds based on scanning A4 size paper in portrait orientation.

Support for High-efficiency Scanning Jobs

- This scanner has a Stapled document detection function, which can automatically detect stapled documents and try to stop scanning before any damage is caused to the scanner.
- This scanner is equipped with 3 ultrasonic sensors that can be turn on and off independently. They are in 3 different locations (left, center and right), which can detect a variety of double feeds.
(KV-S4065CL / KV-S4065CW: 1 location)

Other Features

- You can select between the front exit and rear exit (straight path) for the paper exit path. By using the straight path, you can scan long sheets of paper or thick sheets of paper.
- You can set the left and right document guides independently. By doing so, you can reliably scan documents of differing paper sizes.
- The paper feed path can be opened widely to easily removed jammed paper and perform maintenance.

About the documentation

The scanner documentation consists of 2 manuals: the Installation Manual and the Operating Manual. In addition, 3 software reference manuals are included.

Installation Manual (this manual)	The Installation Manual explains the installation method and procedures.
Operating Manual (electronic documentation)	The Operating Manual explains the part names, operations, features and maintenance of the unit.
Software Reference Manuals (electronic documentation)	<ul style="list-style-type: none"> • PIE Reference Manual Explains the settings of the PIE (Panasonic Image Enhancement Technology) features using the ISIS and TWAIN drivers. • RTIV Reference Manual Explains the features and settings for RTIV (Reliable Throughput Imaging Viewer). (You can view this manual by clicking the help button on RTIV.) • User Utility Reference Manual Explains how to use the User Utility, which is used for scanner maintenance. (You can view this manual by clicking the help button on User Utility.)

- The electronic documentation is located on the included CD-ROM. For details on viewing the documentation, see "Viewing Manuals From the CD-ROM" (page 19).

Abbreviations

- Windows® refers to the Microsoft® Windows® operating system (hereafter Windows).
- Windows® 2000 refers to the Microsoft® Windows® 2000 operating system (hereafter Windows 2000).
- Windows® XP refers to the Microsoft® Windows® XP operating system (hereafter Windows XP).
- Windows Vista® refers to the Microsoft® Windows Vista® operating system (hereafter Windows Vista).

Trademarks

- Microsoft, Windows, and Windows Vista are either registered trademarks or trademarks of Microsoft Corporation in the United States and/or other countries.
- ISIS and QuickScan Pro are registered trademarks or trademarks of EMC Corporation.
- IBM and AT are trademarks of International Business Machines Corporation in the United States, other countries, or both.
- Intel and Intel Core are trademarks of Intel Corporation in the U.S. and other countries.
- Adobe and Reader are either registered trademarks or trademarks of Adobe Systems Incorporated in the United States and/or other countries.
- All other trademarks identified herein are the property of their respective owners.

International ENERGY STAR Program



As an ENERGY STAR® Partner, Panasonic has determined that this product meets the ENERGY STAR guidelines for energy efficiency.

Federal Communications Commission Requirements (For United States only)

Note

This equipment has been tested and found to comply with the limits for a Class A digital device, pursuant to Part 15 of the FCC Rules. These limits are designed to provide reasonable protection against harmful interference when the equipment is operated in a commercial environment. This equipment generates, uses, and can radiate radio frequency energy and, if not installed and used in accordance with the instruction manual, may cause harmful interference to radio communications. Operation of this equipment in a residential area is likely to cause harmful interference in which case the user will be required to correct the interference at his own expense.

FCC Warning: To assure continued FCC compliance, the user must use only shielded interface cable and the provided power supply cord. Also, any unauthorized changes or modifications to this equipment would void the user's authority to operate this device.

For FRG Users (For Germany Only)

Machine noise information regulation - 3.GPSGV, the maximum sound pressure level is 70 dB(A) or less, in conformity with EN ISO 7779.












Table of Contents

Before You Start	6
For Your Safety	6
Safety Information (For United Kingdom only)	9
Precautions	10
Installation	12
Installing the Unit	12
Installing Software	16
System Requirements	16
CD-ROM Contents	16
Software Installation	17
Uninstalling Software	18
Viewing Electronic Documentation	19
Viewing Manuals From the CD-ROM	19
Viewing Manuals Installed On Your Computer	19
Uninstalling Manuals	19
Appendix	20
Troubleshooting	20

For Your Safety

To prevent severe injury and loss of life, read this section carefully before using the unit to ensure proper and safe operation of your unit.

- This section explains the graphic symbols used in this manual.

 WARNING	Denotes a potential hazard that could result in serious injury or death.
 CAUTION	Denotes hazards that could result in minor injury or damage to the unit.
 	These symbols are used to alert operators to a specific operating procedure that must be performed carefully.
   	These symbols are used to alert operators to a specific operating procedure that must not be performed.
  	These symbols are used to alert operators to a specific operating procedure that must be emphasized in order to operate the unit safely.

For Users

 **WARNING**

Power and Ground Connection



The power source voltage of this unit is listed on the nameplate. Only plug the unit into an AC outlet with the proper voltage.

If you use a cord with an unspecified current rating, the unit or plug may emit smoke or become hot to the touch.



When you operate this product, the power outlet should be near the product and easily accessible.



To ensure safe operation, the power cord supplied must be inserted into a standard three-prong AC outlet which is effectively grounded (earthed) through the normal wiring.



The fact that the equipment operates satisfactorily does not imply that the power point is grounded (earthed) and that the installation is completely safe. For your safety, if in any doubt about the effective grounding (earthing) of the power point, consult a qualified electrician.



If the plug cannot be inserted into the AC outlet, contact a licensed electrician to replace the AC outlet with a properly grounded (earthed) one.



Do not defeat the grounding (earthing) plug (ex. do not use a conversion plug).



Plug the power cord firmly into an AC outlet. Otherwise, it can cause fire or electric shock.



Do not pull, bend, rest objects on, or chafe the power cord, and plug. Damage to the power cord or plug can cause fire or electric shock.



Do not attempt to repair the power cord, or plug. If the power cord or plug is damaged or frayed, contact an authorized service representative for a replacement.



Ensure that the plug connection is free of dust. In a damp environment, a contaminated connector can draw a significant amount of current that can generate heat, and eventually cause fire if left unattended over an extended period of time.



Never touch the plug with wet hands. Danger of electric shock exists.



Stop operation immediately if the unit emits smoke, excessive heat, abnormal smell, or unusual noise. These conditions can cause fire or electric shock. Immediately turn the unit off, and unplug the power cord, and contact your dealer for service.



When disconnecting the unit, grasp the plug instead of the cord. Pulling on a cord forcibly can damage it, and cause fire or electric shock.

Operating Safeguards



If metal fragments or water gets into the unit, turn the unit off, and unplug the unit immediately. Contact your dealer for service. Operating the contaminated unit can cause fire or electric shock.



Do not open covers, and do not attempt to repair the unit yourself. Contact your dealer for service.



Do not alter the unit or modify any parts. Alteration or modification can cause fire or electric shock.



During thunderstorms, do not touch the unit and plug. It may cause an electric shock.



Do not place the separation rollers or paper feed rollers where small children can reach them. There is a danger that the rollers may be swallowed. In the event that you think they have been swallowed, contact a doctor immediately.

Roller Cleaning Paper



Do not drink or inhale the roller cleaning paper fluid including isopropyl alcohol.



The roller cleaning paper may be harmful to sensitive skin. Please use protective gloves.



Do not use the roller cleaning paper near a heater or open flame.

 **CAUTION**

Power



The unit should be used only with the power cord enclosed with the unit.



When the unit is not used over an extended period of time, switch it off, and unplug it. If an unused unit is left connected to a power source for a long period, degraded insulation may cause electric shock, current leakage, or fire.

Installation and Relocation



Do not position the unit in a location where it is unstable.



To prevent fire or shock hazard, do not expose this unit to rain or any type of moisture.



Do not place the unit in a hot humid or dusty environment. Prolonged exposure to these adverse conditions may cause fire or electric shock.



Do not block the air vents. Doing so can cause heat to build up, and may result in fire.



When moving the unit, be sure to unplug the power cord from the AC outlet. If the unit is moved with the power cord attached, it can cause damage to the cord which could result in fire or electric shock.



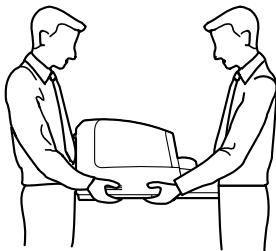
Do not use the hopper hanging out of a table.



When carrying the unit, do not use the hopper as handles.



Move this unit with two persons, and hold it by both side grips. Dropping the unit can cause injury and damage to the unit.



Operating Safeguards



If the unit falls down or gets damaged, turn the unit off, and unplug the power cord. Otherwise, it may cause fire or electric shock.



Do not place any liquids or heavy items on the unit.

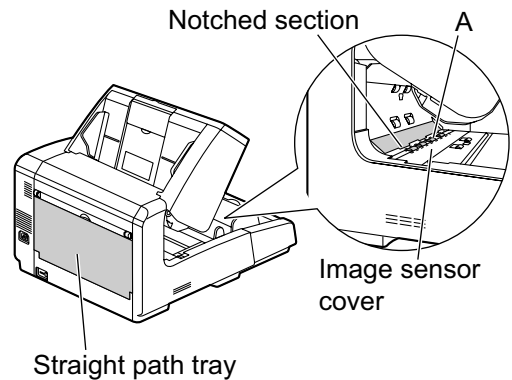
Accidental spillage of liquid into the unit may cause severe damage. If this occurs, turn the unit off, unplug the power cord, and contact your dealer for service.



Do not touch the image sensor covers or their surroundings immediately after continuous scanning. This area is very hot and can cause burns.



When wiping the rollers (A) and lower-section image sensor cover, make sure to close the straight path tray.



If the straight path tray is open, touching the notched section can cause injury.



Be careful not to pinch your fingers when closing the front door. It can cause injury.

(For KV-S4065CL and KV-S4065CW only)

LED LIGHT

DO NOT VIEW DIRECTLY WITH OPTICAL INSTRUMENTS.

CLASS 1M LED PRODUCT

LED properties



LED radiation output:		12 mW max.
Wavelength:	Red	630 nm typ.
	Green	534 nm typ.
	Blue	460 nm typ.

Emission duration: Continuous

Standard: IEC 60825-1:1993 +A1:1997 +A2:2001

Safety Information (For United Kingdom only)

This appliance is supplied with a moulded three pin mains plug for your safety and convenience.

A 5 amp fuse is fitted in this plug. Should the fuse need to be replaced, please ensure that the replacement fuse has a rating of 5 amps and that it is approved by ASTA or BSI to BS1362. Check for the ASTA mark  or the BSI mark  on the body of the fuse. If the plug contains a removable fuse cover, you must ensure that it is refitted when the fuse is replaced. If you lose the fuse cover, the plug must not be used until a replacement cover is obtained. A replacement fuse cover can be purchased from your local Panasonic Dealer.

IF THE FITTED MOULDED PLUG IS UNSUITABLE FOR THE SOCKET OUTLET IN YOUR PREMISES, THEN THE FUSE SHOULD BE REMOVED AND THE PLUG CUT OFF AND DISPOSED OF SAFELY. THERE IS DANGER OF SEVERE ELECTRICAL SHOCK IF THE CUT-OFF PLUG IS INSERTED INTO ANY 13 AMP SOCKET.

If a new plug is to be fitted, please observe the wiring cord as shown below. If in any doubt, please consult a qualified electrician.

WARNING

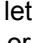
THIS APPLIANCE MUST BE EARTHED.

IMPORTANT

The wires in this mains lead are coloured as follows:

Green-and-Yellow	: Earth
Blue	: Neutral
Brown	: Live

As the colours of the wires in the mains lead of this apparatus may not correspond with the coloured markings identifying the terminals in your plug, proceed as follows.

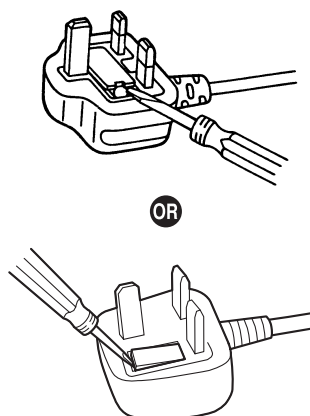
The wire that is coloured GREEN-AND-YELLOW must be connected to the terminal in the plug that is marked with the letter E or by the Earth symbol  or coloured GREEN or GREEN-AND-YELLOW.

The wire that is coloured BLUE must be connected to the terminal in the plug that is marked with the letter N or coloured BLACK.

The wire that is coloured BROWN must be connected to the terminal in the plug which is marked with the letter L or coloured RED.

How to replace the fuse:

Open the fuse compartment with a screwdriver and replace the fuse and fuse cover.



Precautions

Installation

- Do not place the unit in direct sunlight, in a cold draft, or near heating apparatus.
- Do not place the unit near apparatus which generate electronic or magnetic noise.
- Protect the unit from static electricity.
- Do not move the unit immediately from a cold place to a warm place. It may cause dew.

CD-ROM

- Do not write or stick paper on the front and/or back of CD-ROM.
- Do not touch the data side of the CD-ROM. When handling the CD-ROM, be careful not to leave fingerprints or otherwise damage the CD-ROM.
- Do not leave the CD-ROM where it is directly exposed to sunlight or near a heater for extended periods.
- Do not throw or bend the CD-ROM.

Roller Cleaning Paper

- Keep the roller cleaning paper out of reach of small children.
- Do not store the roller cleaning paper in direct sunlight or in a place with a temperature over 40 °C (104 °F).
- Only use the roller cleaning paper to clean the rollers and image sensor covers.
- For details about the roller cleaning paper, please refer to the Material Safety Data Sheet (MSDS). Please ask your Panasonic sales company about obtaining the Material Safety Data Sheet.

KEEP AWAY FROM FIRE.

Others

- Make sure to remove paper clips and staples from documents before scanning. Failing to do so can damage the unit, document, or both.
- Do not use thinner, benzene, or cleaners containing abrasives or surfactants, for cleaning the outside of scanner.
- Plug the power cord into an outlet from which you can easily unplug it.

Illegal Duplication

It is unlawful to make duplication of certain documents.

Duplicating certain documents may be illegal in your country/area.

Penalties of fines and/or imprisonment may be imposed on those found guilty. The following are examples of items that may be illegal to duplicate in your country/area.

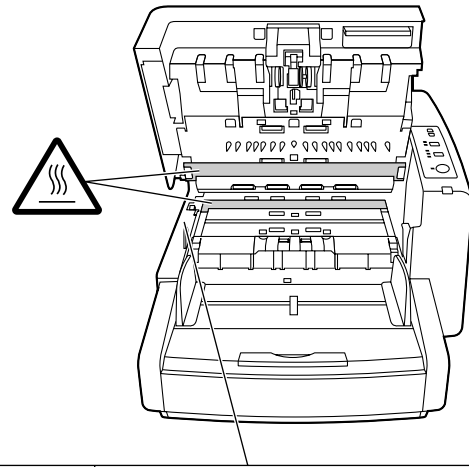
- Currency
- Bank notes and checks
- Bank and government bonds, and securities
- Passports, licenses, official or private documents, identification cards, and the like
- Copyright materials, or trademarks without the consent of the owner
- Postage stamps, and other negotiable instruments

This list is not inclusive, and no liability is assumed for either its completeness or accuracy. In case of doubt, contact your legal counsel.

Notice

Install your machine near a supervised area to prevent illegal duplication from being made.

Caution Labels

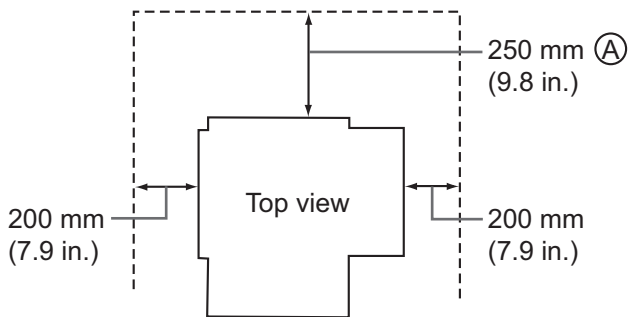


CAUTION Be careful not to pinch your fingers when closing the front door. It can cause injury.

Installing the Unit

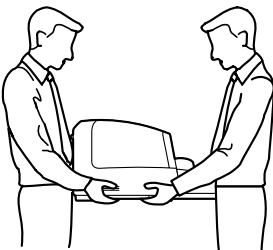
About the installation location

- In order to ensure proper operation, install the unit maintaining the proper distances from surrounding objects, as shown in the following illustration.
- When the scanned document exits from the back side, adjust the space (A) to the length of the document.



CAUTION

- Move this unit with two persons, and hold it by both side grips. Dropping the unit can cause injury and damage to the unit.




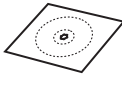
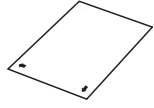






Notice

- Do not move the unit immediately from a cold place to a warm place. It may cause dew.

1. Check the accessories.

- Check that all accessories are included before installing the scanner. In the event that an item is missing, please contact your dealer.

	Power cord
	USB cable
	Double feed prevention roller
	Drivers & Utilities / Manuals CD-ROM
	Shading paper
	Roller cleaning paper
	Blower
	Installation Manual (this manual)
	Safety Guide ^{*1} (for French, German, Spanish, Italian and Russian only)

^{*1} Safety Guide may be included depending on country/area.

Note

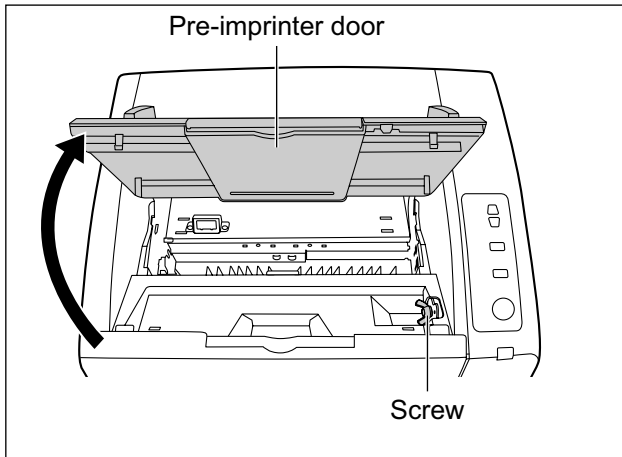
- It is highly recommended to keep the original carton and all packing materials. They are necessary when repacking.
- [For United States only] Applicable limited warranty information is included on the Drivers & Utilities / Manuals CD-ROM.
- Two power cords may be included. Use the power cord appropriate for where you use the unit.

2. Remove all packing tape.

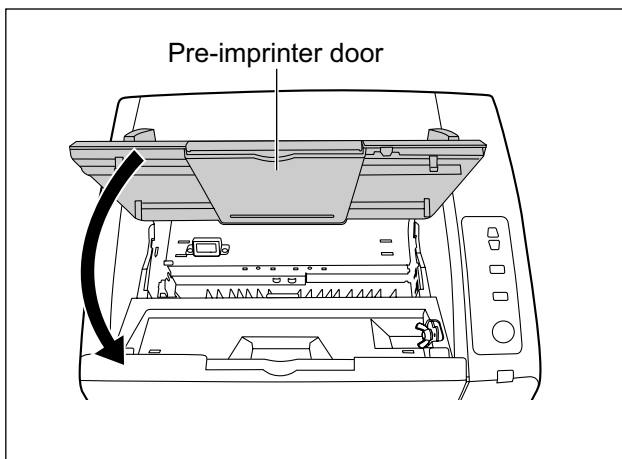
3. Open the pre-imprinter door and loosen the screw.

Note

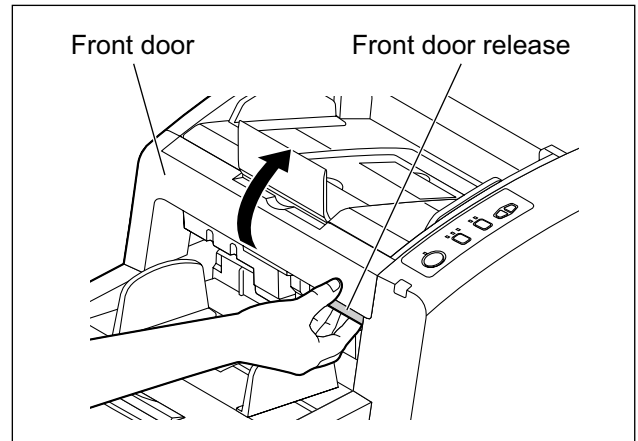
- The front door cannot be opened if you do not loosen the screw.



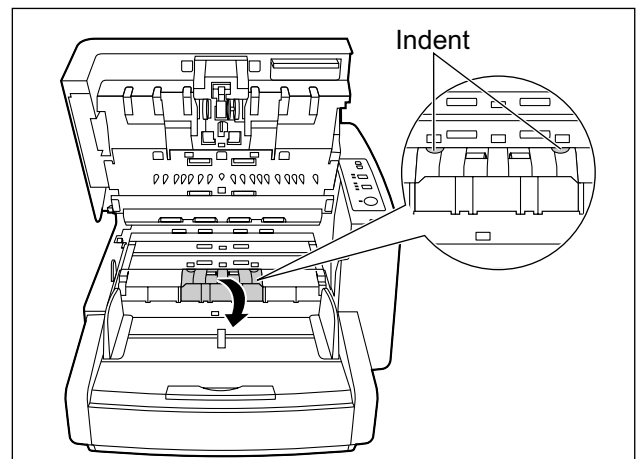
4. Close the pre-imprinter door.



5. Pull the front door release towards you. Then open the front door.

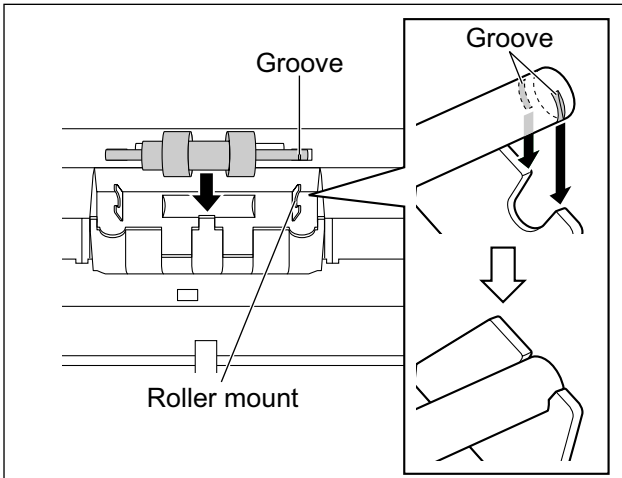


6. Pull open the double feed prevention roller cover towards you by using the indent.



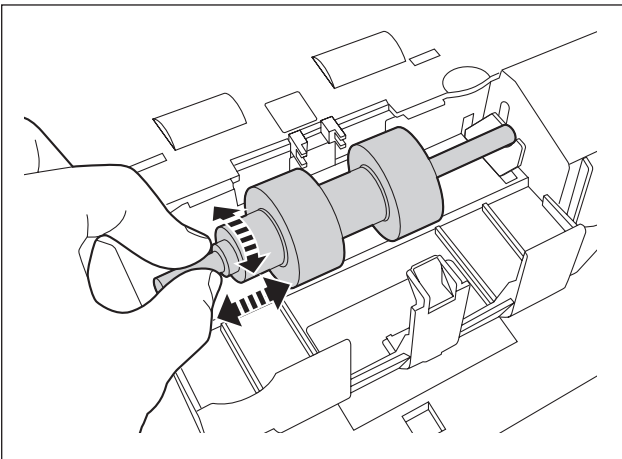
Installation

7. Install the double feed prevention roller.
- Place the axis with the groove facing the right side, and align the groove with the roller mount to install it. There are 2 grooves on the shaft. Align the grooves with the U-shaped section on the roller mount to install it.

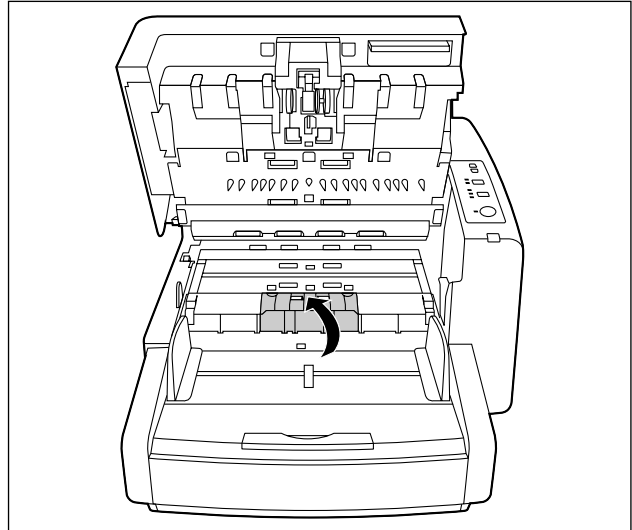


Notice

- After you install the double feed prevention roller, make sure that the shaft will not rotate or move. If the groove is not properly inserted in the roller mount, it may cause double feeding or a paper jam.



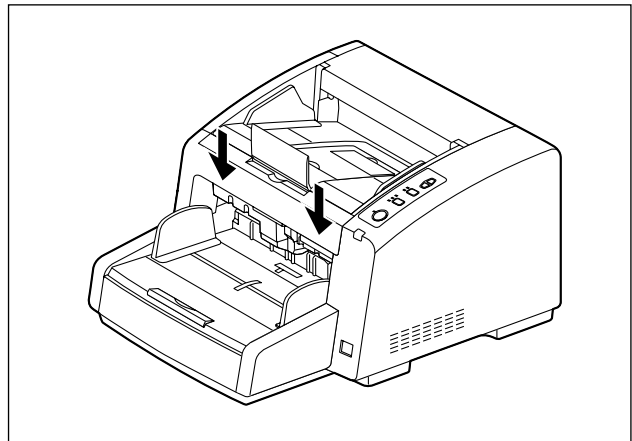
8. Hold the double feed prevention roller cover and close by pushing it into the scanner.



Notice

- Be sure to close the double feed prevention roller cover until it clicks into place. If the double feed prevention roller cover is not closed correctly when the front door is closed, the double feed prevention roller cover may break.

9. Close the front door.
- Push both sides of the front door down slowly until it clicks into place.



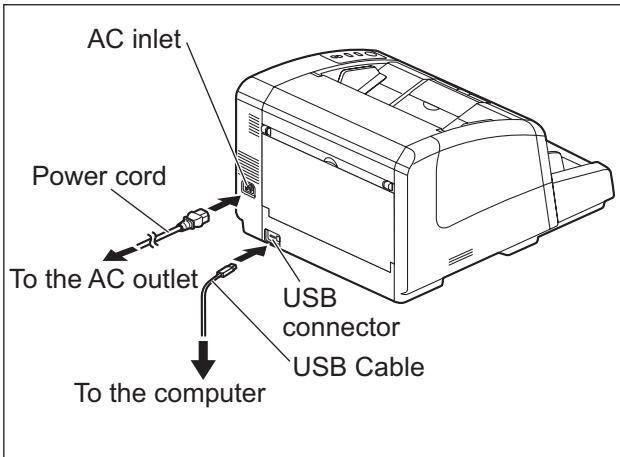
Notice

- Make sure that the double feed prevention roller cover is closed properly before closing the front door.

10. Connect the power cord and the USB cable to the unit.

Notice

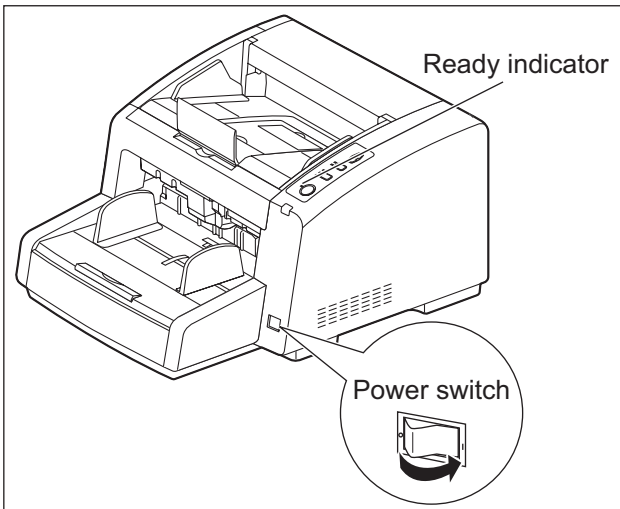
- Use only the power cord that is provided with the unit.
- Use the included USB cable or a certified Hi-Speed USB 2.0 cable.



11. Install software (page 16).

12. Set the power switch of the scanner to "I" (ON).

- The ready indicator lights green.



Installing Software

System Requirements

Computer	IBM® PC/AT® or compatible machine with a CD-ROM drive
CPU	Intel® Core™ 2 Duo, 1.8 GHz or higher
Operating System	Windows 2000 / Windows XP / Windows Vista
Interface	USB 2.0
Memory	1 GB or higher
Hard Disk	5 GB or more free space is required.

Note

- The above system requirements may not satisfy the requirements of all operating systems.
- The scanning speed differs depending on the host computer's operating environment or the application used.
- Due to the slower speed of USB 1.1, it is recommended to use a USB 2.0 interface.
- If you connect the scanner to a USB hub, it is not guaranteed to work.

CD-ROM Contents

Drivers	Device Driver
	TWAIN ^{*2}
	ISIS
Applications	RTIV ^{*3}
	QuickScan Pro Demo ^{*4}
Utilities	MCD ^{*5}
	User Utility
Manuals ^{*1}	Installation Manual
	Operating Manual
	PIE Reference Manual ^{*6}
	RTIV Reference Manual
	User Utility Reference Manual
Others	Control Sheet ^{*7}
	Warranty Information (U.S.A. only)

^{*1} All manuals are in PDF format. To view manuals, Adobe® Reader® must be installed.

^{*2} There is no TWAIN application on this CD-ROM.

^{*3} RTIV (Reliable Throughput Imaging Viewer) is our original application software, and does not require either TWAIN driver or ISIS driver.

^{*4} There are some restrictions for QuickScan Pro due to being a trial version. In addition, when using QuickScan Pro, the ISIS driver is required. QuickScan Pro does not work with the 64-bit version of Windows.

^{*5} For details on how to use MCD, refer to PIE Reference Manual and RTIV Reference Manual.

^{*6} PIE is an acronym for Panasonic Image Enhancement Technology.

^{*7} The control sheets are stored as PDF files. For use them, print the control sheets in the same size as the document pages to be scanned. For details, refer to "Using Control Sheets" in the Operating Manual.

Software Installation

The software on the enclosed CD-ROM can be installed on your computer.

You can select from the 4 installation methods below, depending on your needs.

- a. **Complete:** Install all of the CD-ROM components.
- b. **All Drivers & Utilities:** Install all of the CD-ROM components except for applications.
- c. **Custom:** Install one of the drivers, utilities or manuals.
- d. **Application:** Select and install RTIV or the QuickScan Pro Demo.

Notice

- Make sure to log on as an administrator to install the software.

1. Set the power switch of the scanner to "○" (OFF).
2. Insert the included CD-ROM into the CD/DVD drive on your computer.
 - If you have a feature called "Autorun" activated, the installation process will start automatically.
 - The setup window will appear.

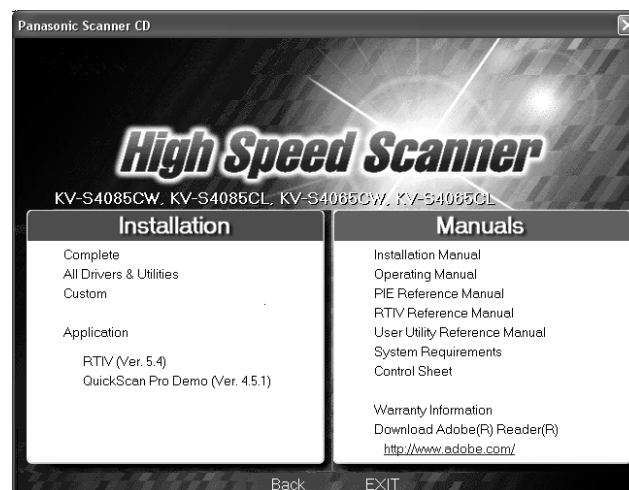
Note

- If the AutoPlay dialog box is displayed in Windows Vista, select "CDRun.exe".
- If the program does not start automatically, from [My Computer] ([Computer] in Windows Vista), select the CD/DVD drive, and then double-click "CDRun.exe".

3. Select your scanner model.

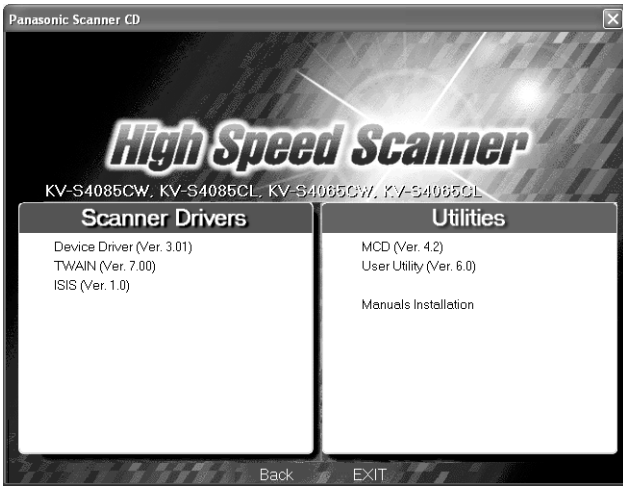


4. Select the desired installation methods from the "Installation" list on the left side of the screen.



- If you selected [Complete] or [All Drivers & Utilities], continue to step 6.
- If you selected [Custom], continue to step 5.
- If you selected [RTIV] or [QuickScan Pro Demo] in "Application", continue to step 6.

- If you selected [Custom] for the installation type in step 4, select the item that you want to install.



- Follow the instructions on the screen.
 - In Windows Vista, if a window appears with the message "Windows can't verify the publisher of this driver software", continue with the installation by selecting "Install this driver software anyway".
- Set the power switch of the scanner to "I" (ON).
 - If you installed a device driver, it is necessary to continue with the next step.
- Follow the instructions of the hardware wizard to complete the installation.
 - The installation process is performed automatically in Windows Vista.

Note

Continue with the installation even if a window appears with the message "Digital Signature was not found for this driver" or "has not passed Windows Logo testing...".

Uninstalling Software

If you want to remove the software that is installed on your computer, follow the procedure below to uninstall them.

- In Control Panel, open [Add or Remove Programs].
 - In Windows 2000, select [Add/Remove Programs], and in Windows Vista, select [Uninstall a program].
- Select the item that you want to uninstall.
 - The software is displayed with the program names below:

Software	Program Name
Device driver	Panasonic High Speed Scanner Device Driver X.XX ^{*1}
TWAIN	KV-S4085C KV-S4065C TWAIN Driver
ISIS	KV-S4085C S4065C ISIS Driver
RTIV	RTIV
QuickScan Pro Demo	QuickScan 4.5.1 ^{*1}
User Utility	Panasonic Scanner User Utility
MCD (Multi-color Dropout) Utility	MCD

^{*1} "X.XX" and the number that follows a program name are the software version. When you upgrade the software, the numbers above may be different from the actual software version.

- Follow the instructions on the screen.

Viewing Electronic Documentation

Viewing Manuals From the CD-ROM

All manuals on the CD-ROM can be viewed using Adobe Reader.

1. Insert the included CD-ROM into the CD/DVD drive on your computer.
 - If you have a feature called "Autorun" activated, the installation process will start automatically.
 - The setup window will appear.

Note

- If the AutoPlay dialog box is displayed in Windows Vista, select "CDRun.exe".
- If the program does not start automatically, from [My Computer] ([Computer] in Windows Vista), select the CD/DVD drive, and then double-click "CDRun.exe".

2. Select your scanner model.
3. Select a manual from the "Manuals" list on the right side of the screen.
 - The selected manual will open.

Note

- To view the electronic documentation, Adobe Reader must be installed on your computer. If your computer is connected to the Internet, you can download Adobe Reader by clicking the URL below "Download Adobe® Reader®". The URL is displayed in the "Manuals" list on the setup screen.

Viewing Manuals Installed On Your Computer

All manuals installed on your computer can be viewed as follows.

Note

- To install manuals on your computer, see page 17.
 - You can view the RTIV Reference Manual and the User Utility Reference Manual by clicking the help button on the software's operation screen.
1. On the [Start] menu, point to [All Programs], then [Panasonic], and select [Scanner Manuals].
 - If you are using Windows 2000, point to [Program] instead of [All Programs].
 2. Select the desired manual.
 - The selected manual will open.

Uninstalling Manuals

If you want to remove manuals that are installed on your computer, follow the procedure below to uninstall them.

1. In Control Panel, open [Add or Remove Programs].
 - In Windows 2000, select [Add/Remove Programs], and in Windows Vista, select [Uninstall a program].
2. Select "Panasonic Scanner Manuals".
3. Follow the instructions on the screen.

Troubleshooting

If a problem occurs while the unit is being used, check the following items and check the unit status with the User Utility. For other problems, refer to "Troubleshooting" in the Operating Manual.

If the unit still malfunctions, turn it OFF, unplug the power cord and call for service.

Symptom	Possible Cause	Remedy
The front door cannot be opened.	The screw is not loosened.	Open the pre-imprinter door and loosen the screw (page 13).
The ready indicator does not light when the power switch is turned ON.	The power cord is not plugged in.	Insert the power plug firmly.
	Problem with power supply.	Disconnect the unit from the electric outlet and call for service.
The computer does not recognize the unit. The scanner is not functioning correctly.	The unit is not connected to the computer correctly.	Connect the USB cable correctly.
	The software is not installed correctly.	Uninstall the software from the computer (page 18), and then install the software again (page 17).
	The USB interface of the computer is not installed correctly.	Check the computer whether the USB interface of your computer is installed correctly using the device manager's property.
	The unit is connected via USB hub.	Do not connect via USB hub.
	There is a problem with the USB cable.	Use the included USB cable or a certified Hi-speed USB 2.0 cable.
	The scanner entered Standby mode after not being used for a certain period of time.	Restart the scanner by pressing any one of the buttons for more than 1 second so that the computer can recognize the scanner.

If you still experience problems after following these suggestions, please contact our Technical Support Department at 1-800-726-2797 for further assistance. (U.S.A. only)

Notes

Information on Disposal for Users of Waste Electrical & Electronic Equipment (private households)



This symbol on the products and/or accompanying documents means that used electrical and electronic products should not be mixed with general household waste.

For proper treatment, recovery and recycling, please take these products to designated collection points, where they will be accepted on a free of charge basis. Alternatively, in some countries you may be able to return your products to your local retailer upon the purchase of an equivalent new product.

Disposing of this product correctly will help to save valuable resources and prevent any potential negative effects on human health and the environment which could otherwise arise from inappropriate waste handling. Please contact your local authority for further details of your nearest designated collection point. Penalties may be applicable for incorrect disposal of this waste, in accordance with national legislation.

For business users in the European Union

If you wish to discard electrical and electronic equipment, please contact your dealer or supplier for further information.

Information on Disposal in other Countries outside the European Union

This symbol is only valid in the European Union.

If you wish to discard this product, please contact your local authorities or dealer and ask for the correct method of disposal.

Things you should keep a record of:

For your future reference

Date of purchase

Model number

Serial number

Dealer's name and address

Dealer's telephone number

Panasonic Corporation of North America

Two Riverfront Plaza, Newark, New Jersey
07102-5490

Panasonic Canada Inc.

5770 Ambler Drive, Mississauga, Ontario, L4W 2T3

Panasonic Marketing Europe GmbH

Hagenauer Strasse 43, 65203 Wiesbaden, Germany

For information of Compliance with EU relevant Regulatory

Directives, Contact to Authorised Representative:

Panasonic Testing Centre

Panasonic Marketing Europe GmbH

Winsbergring 15, 22525 Hamburg, Germany

For users in Turkey

EEE Complies with Directive of
Turkey.

Türkiye'deki kullanıcılar için

EEE Yönetmeliğine Uygundur.



(For EU only)

Panasonic Corporation

Web Site: <http://www.panasonic.com/>

